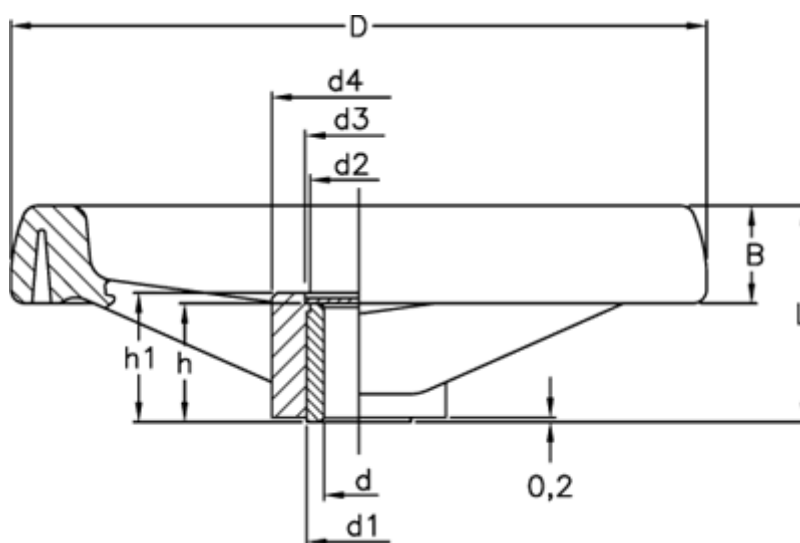


Data Sheet



Article number: 2301078411R
Description: E+G handwheel
VRTP.80-A8

Measures



| | | | |
|---------|------|-------|------|
| B | = 18 | h | = 17 |
| C (N m) | = 32 | h1 | = 19 |
| D | = 80 | L | = 35 |
| d1 | = 18 | L (J) | = 5 |
| d2 | = 16 | | |
| d3 | = 17 | | |
| d4 | = 23 | | |
| d H7 | = 8 | | |